



Specification

Version No.: V2.0

常州昊翔电子有限公司
Changzhou HaoXiang Electronic Co., LTD

客户名称

CUSTOMER NAMED : _____

产品名称

COMMODITY : Speaker box

产品型号

MODEL NO : TDA-W8080KC4FN353W50L110

客户料号

PART NO : _____

审 核	秦皓	主 办	潘莲 Oct. 18, 2021
-----	----	-----	------------------

客 户 承 认 栏			
承 认		拒 收	

常 州 昊 翔 电 子 有 限 公 司

常 州 声 翔 电 子 有 限 公 司

常州公司：
江苏省常州市戚区潞城镇富民路 259 号
TEL:86-519-88371720 13585451311

南通工厂：
江苏如皋市郭元镇工业园辰翔工业区
TEL:86-513-87910588 871919168

Website:www.tda-buzzer.com

E-mail: sales@tda-buzzer.com sales2@tda-buzzer.com sales3@tda-buzzer.com

A. MODEL: TDA-W8080KC4FN353W50L110

B. SPECIFICATION

Test condition: Temperature: 15~35°C Related Humidity:25~75% (GB/T9396-1996)

No.	Item	Specification	Condition
1	Dimension	80x80xH35.3mm	
2	Impedance	$4 \pm 15\% \Omega$	At 1KHz
3	Output Sound Pressure Level	$89 \pm 3\text{dB} (1\text{W}/1\text{M})$	At F0 2V
4	Response Frequency	$400 \pm 20\% \text{Hz}$	at 1V(NO Baffle)
5	Frequency Range	F0 --- 8KHz	SPL-10dB 2.0V
6	Power Rating	Normal: 5W Maximum: 10W	Sine Wave
7	THD	<5%	At 1kHz 2.0V
8	Operating temperature	- 40 ~ + 125°C	
9	Storage temperature	- 40 ~ + 125°C	
10	Abnormal Sound test	Buzz,Rattle,etc Should not be audible at4.47VRMS sine wave from 200 ~ 10KHz.	
11	Polarity	When a positive DC current is applied to the terminal marked(+),Diaphragm shall move forward.	
12	RoHS	The Speaker is RoHS compliant.	

C.ENVIRONMENT TEST

No.	Item	Condition	Evaluation standard
1	High Temperature	After being placed in a chamber at $+125 \pm 3^\circ\text{C}$ for 96 hours.	Being placed for 4 hours at room temperature, speaker shall be measured. SPL should not deviate by $\pm 3 \text{dB}$,and nor any significant damage.
2	Low Temperature	After being placed in a chamber at $-40 \pm 3^\circ\text{C}$ for 96 hours.	
3	Humidity	After being placed in a chamber at $+40 \pm 3^\circ\text{C}$ and 90~95%(RH) Relative Humidity for 96 hours.	

D. MECHANICAL CHARACTERISTICS

No.	Item	Test condition	Evaluation standard
1	Vibration test	Vibration frequency of 10 ~ 30 ~ 10 hz, amplitude of 0.55 mm, sweep time 3 min/time	SPL shall not deviate by $\pm 3 \text{dB}$ from pre-test measurement, and nor any significant damage.

E.RELIABILTY TEST

No.	Item	Test conditions	Evaluation standard
1	Load test	White noise with HPF 4.47 Volts. 100 Hours.	After test, SPL shall not deviate by ± 3 dB from pre-test measurement, and nor any significant damage .

F.MEASURING METHOD(SPEAKER MODE)

F-1.Test Condition

(a)STANDARD:

Temperature : $15 \sim 35^{\circ}\text{C}$, Relative humidity : $45\% \sim 85\%$,
Atmospheric pressure : $860\text{mbar to }1060\text{mbar}$

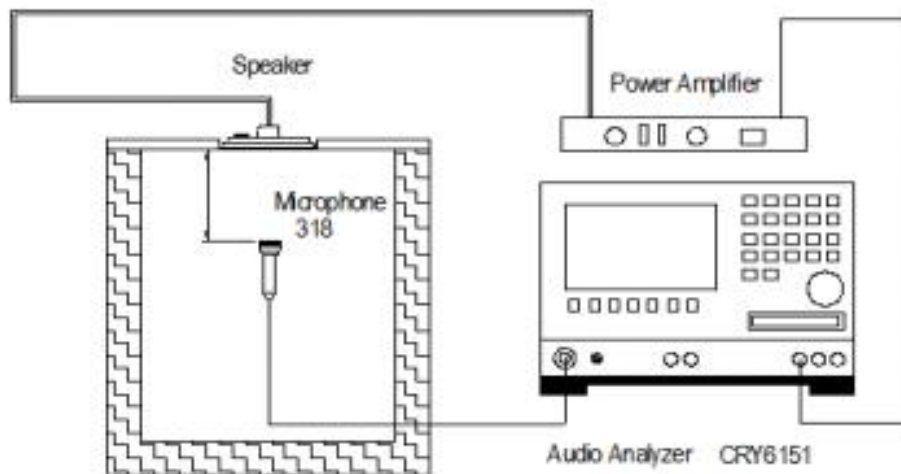
(b)JUDGEMENT:

Temperature : $20 \pm 3^{\circ}\text{C}$, Relative humidity : $60\% \sim 70\%$,
Atmospheric pressure : $860\text{mbar to }1060\text{mbar}$

F-2.Standard Test Fixture

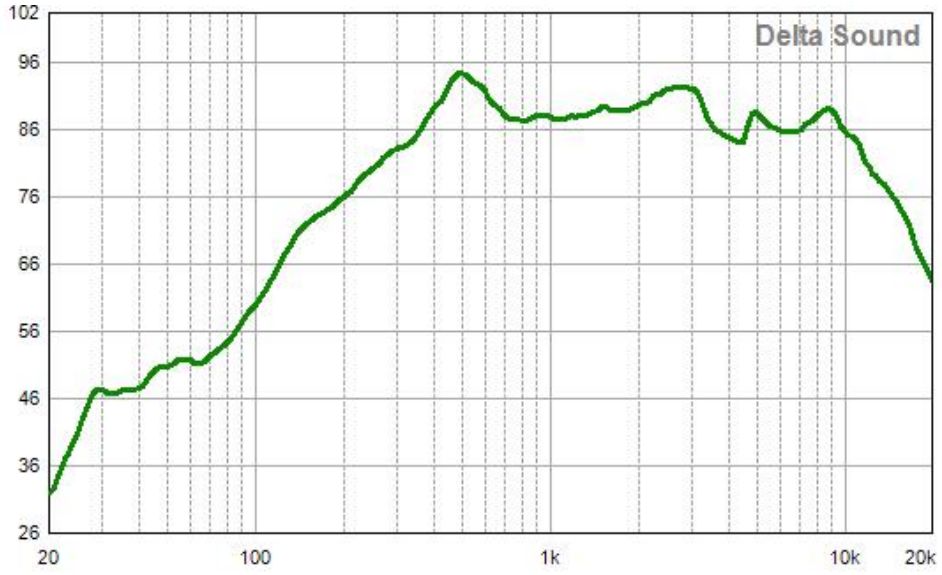
- 1.Input Power : 1W
- 2.Zero Level : $-dB$
- 3.Mode : TSR
- 4.potentiometer Range : 50dB
- 5.Sweep Time : 0.5sec

Standard test condition of speaker

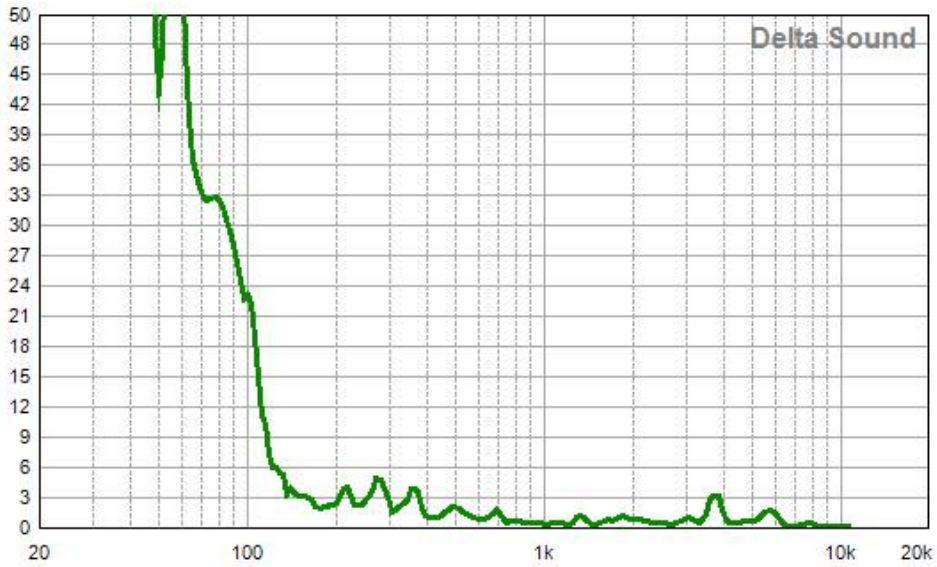


G.FREQUENCY CURVE

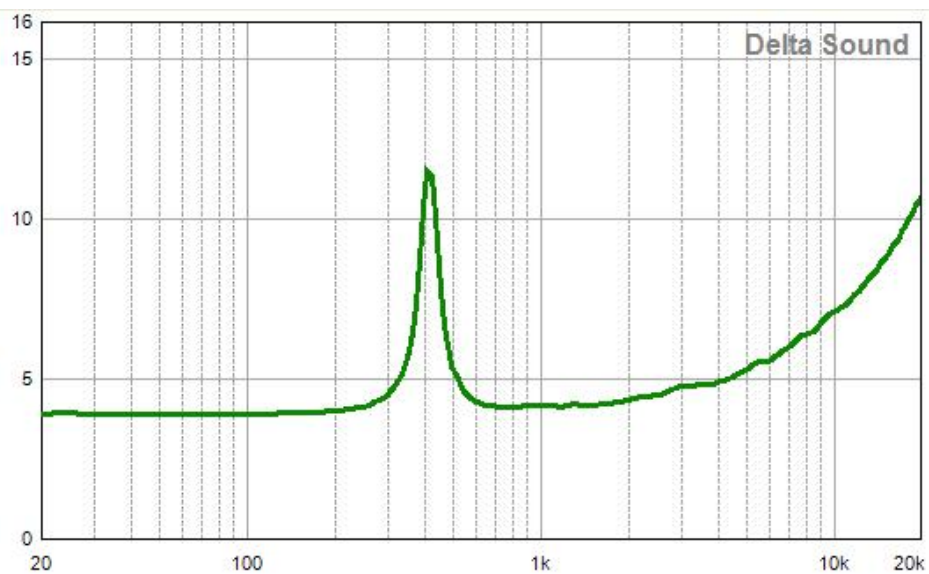
(1) frequency curve



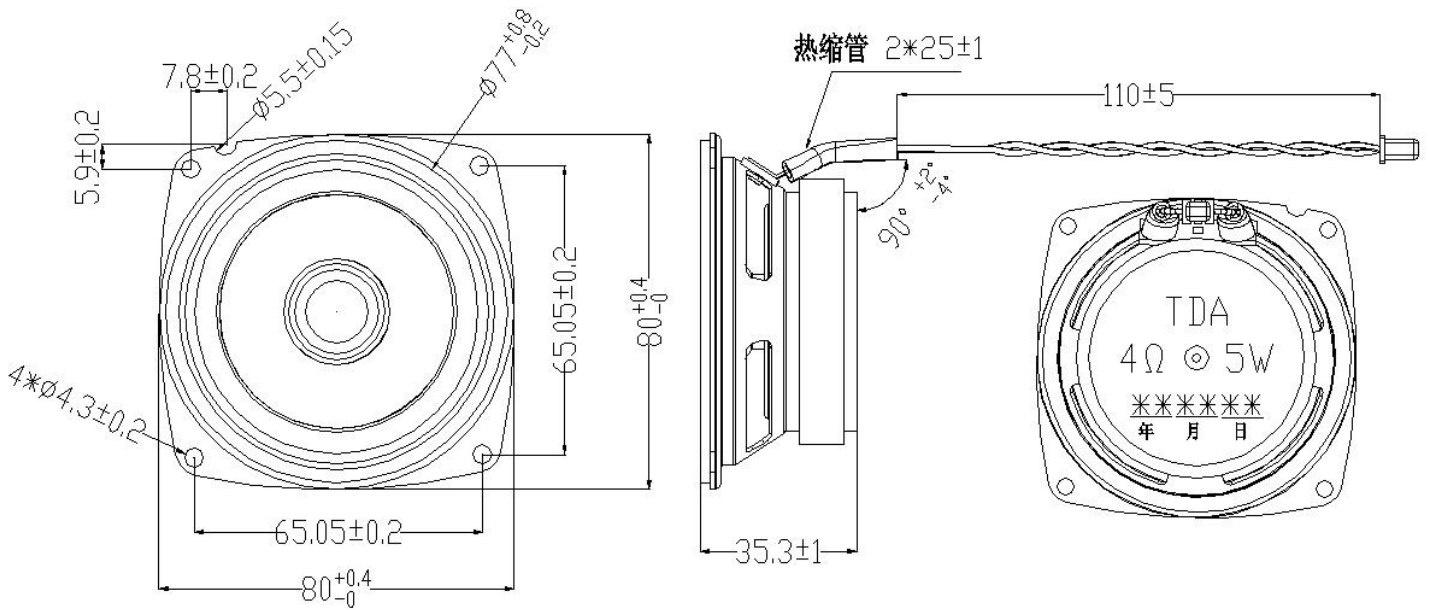
(2) distortion curve



(3) Impedance curve



H. APPEARANCE DRAWING



Unit:mm Tolerance : ± 0.5 mm

I. NOTICE ON PRODUCT STORAGE

a. Please store the products in room where the temperature / humidity is stable. And avoid such places where there are large temperature changes. Please store the products under the following conditions :

Temperature : -10 to +40 (degree C)

Humidity : 15 to 85% R.H.

b. Expire date (Shelf life) of the products is 6 months after delivery under the conditions of a sealed and an unopened package. Please use the products within 6 months after delivery. If you store the products for a long time (more than 6 months), use carefully because the products may be degraded in the solder-ability and/or rusty.

Please confirm solder-ability and characteristics for the products regularly.

c. Please use the products immediately after the package is opened, because the characteristics may be reduced in quality, and/or be degraded in the solder-ability due to storage under the poor condition.

J. REVISION

No.	DATE	DESCRIPTION	REMARK	VERSION
1	Oct.18,2021	Initial condition	TDA-W8080KC4FN353W50L110	V2.0