



请承认书

Version No.: V2.0

常州昊翔电子有限公司
Changzhou HaoXiang Electronic Co., LTD
 客户名称
CUSTOMER NAMED : _____
 产品名称
COMMODITY : Speaker
 产品型号
MODEL NO : TDA-W6060KC4I300W50
 客户料号
PART NO : _____

审核	秦皓	主办	潘莲 Aug.16,2021
----	----	----	----------------

客户承认栏			
承认		拒收	

常州昊翔电子有限公司

常州声翔电子有限公司

常州公司:

江苏省常州市戚区潞城镇富民路 259 号

TEL:86-519-88371720 13585451311

Website:www.tda-buzzer.com

E-mail: sales@tda-buzzer.com sales2@tda-buzzer.com sales3@tda-buzzer.com

南通工厂:

江苏如皋市郭元镇工业园辰翔工业区

TEL:86-513-87910588 871919168

A. MODEL: TDA-W6060KC4I300W50

B. SPECIFICATION

Test condition: Temperature: 15~35°C Related Humidity:25~75% (GB/T9396-1996)

No.	Item	Specification	Condition
1	Dimension	60x60xH30mm	
2	Impedance	$4 \pm 15\% \Omega$	At 1KHz
3	Output Sound Pressure Level	$83 \pm 3\text{dB}(1\text{W} / 1\text{M})$	At 0.5K, 0.6K, 0.8K, 1.0K Hz, in average
4	Response Frequency	$180 \pm 20\% \text{Hz}$	At 1V
5	Frequency Range	F0 --- 10KHz	
6	Power Rating	Normal: 5.0W Maximum: 10.0W	Sine Wave
7	THD	3% Max	At 1KHz
8	Operating temperature	- 40 ~ + 105°C	
9	Storage temperature	- 40 ~ + 105°C	
10	Weight	$180 \pm 5\% \text{g}$	
11	waterproofing grade	IP67	(Diaphragm not absorb water;Rubber+plastic PEI /Glass Fiber)
12	Abnormal Sound test	4.8V 200Hz to 3KHz 3seconds/2cycles	
13	RoHS	The Speaker is RoHS compliant.	

C.ENVIRONMENT TEST

No.	Item	Condition	Evaluation standard
1	Heat And Humidity Test	-10° C to +60° C,93%RH for 240 hours	The sound pressure as specified shall neither deviate more than $\pm 5\text{dB}$ from the initial value, nor any significant damage after any of 100llowing testing.
2	Humidity	After being placed in a chamber at $+85 \pm 2 \text{ }^\circ \text{C}$ and 85%(RH) Relative Humidity for 1000 hours.	
3	High Temperature	After being placed in a chamber at $+105^\circ \text{C}$ for 950 hours.	
4	Low Temperature	After being placed in a chamber at -40°C for 96 hours.	

D. RELIABILITY TEST

No.	Item	Test conditions	Evaluation standard
1	Load test	IEC 268-5W/4.8V 100hours with 200Hz low cut filter	The sound pressure as specified shall neither deviate more than $\pm 5\text{dB}$ from the initial value, nor any significant damage after any of 100llowing testing.

E. MEASURING METHOD(SPEAKER MODE)

F-1. Test Condition

(a) STANDARD:

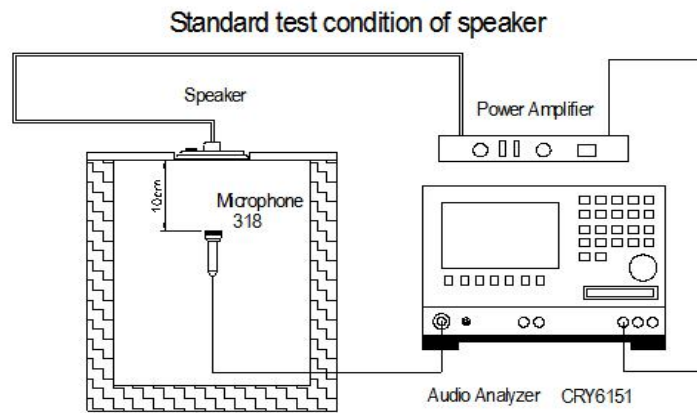
Temperature : 15 ~ 35°C, Relative humidity : 45% ~ 85%,
Atmospheric pressure : 860mbar to 1060mbar

(b) JUDGEMENT:

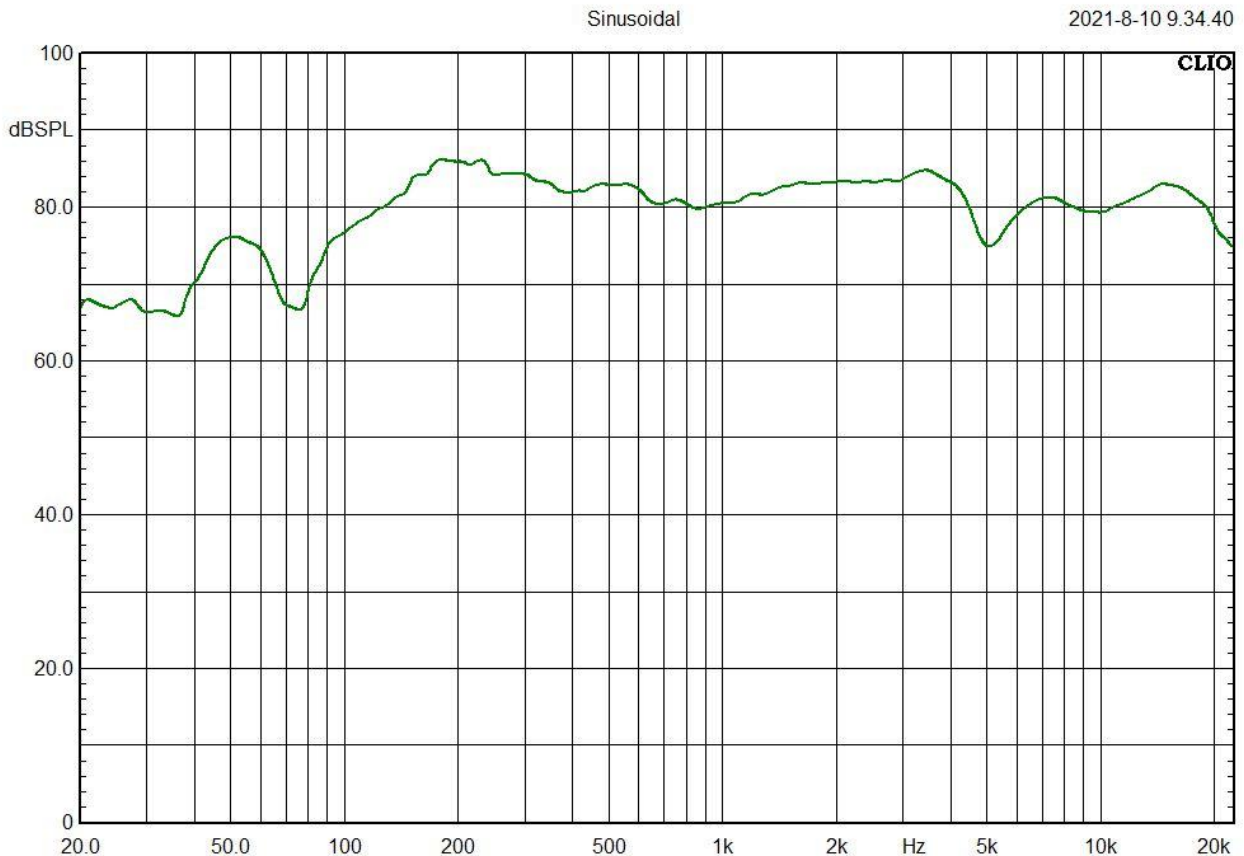
Temperature : $20 \pm 3^\circ\text{C}$, Relative humidity : 60% ~ 70%,
Atmospheric pressure : 860mbar to 1060mbar

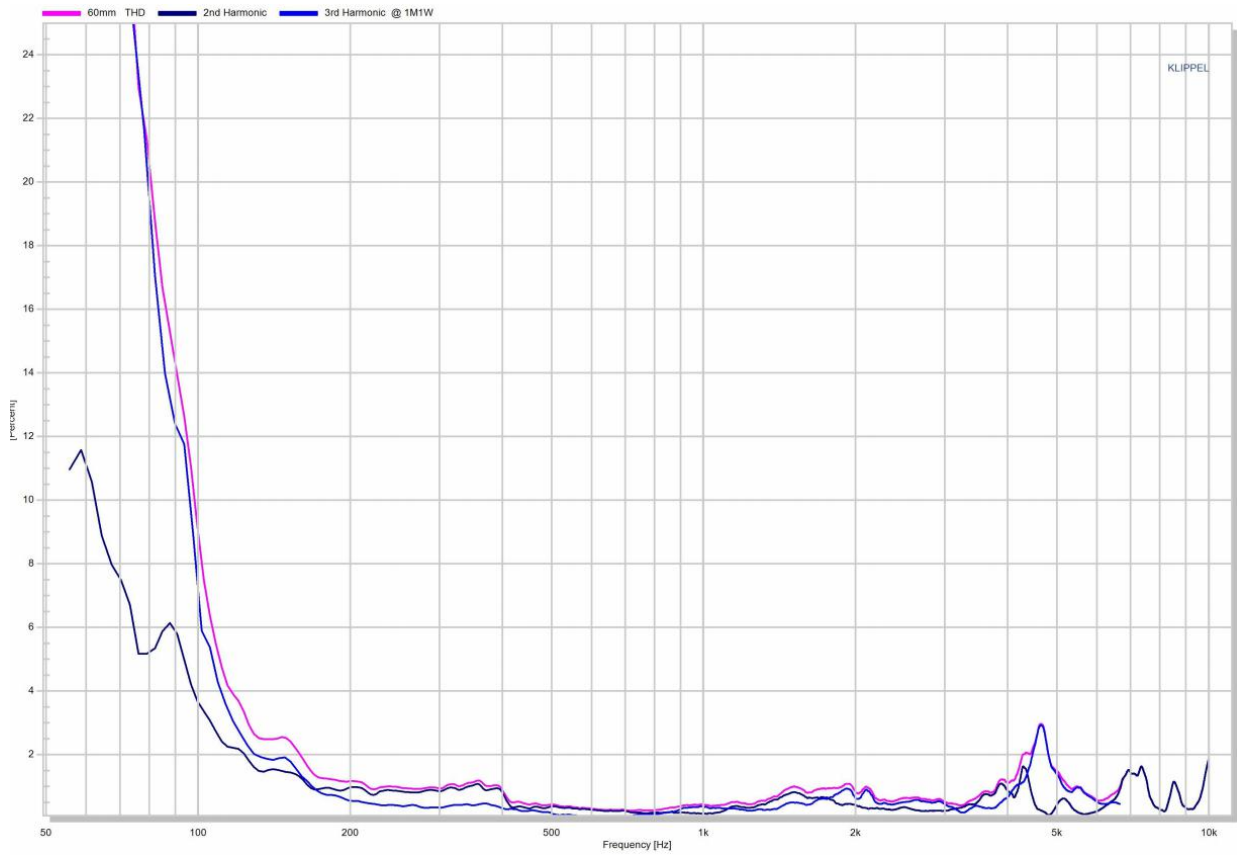
F-2. Standard Test Fixture

1. Input Power : 5.0W
2. Zero Level : -dB
3. Mode : TSR
4. potentiometer Range : 50dB
5. Sweep Time : 0.5sec

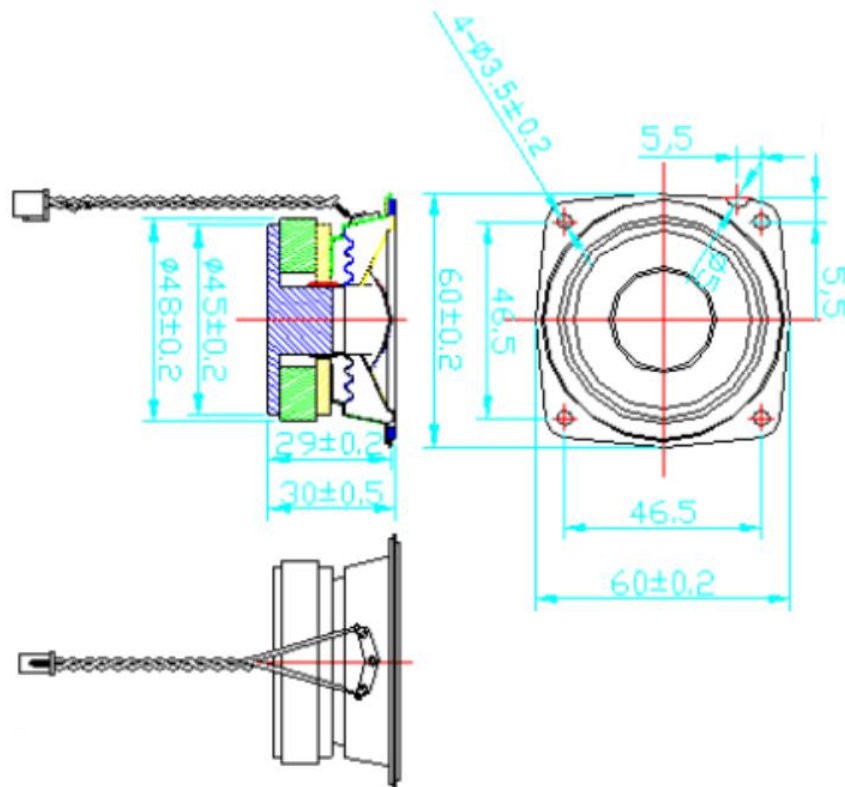


F. FREQUENCY CURVE





G. APPEARANCE DRAWING



Unit:mm Tolerance : $\pm 0.5\text{mm}$

